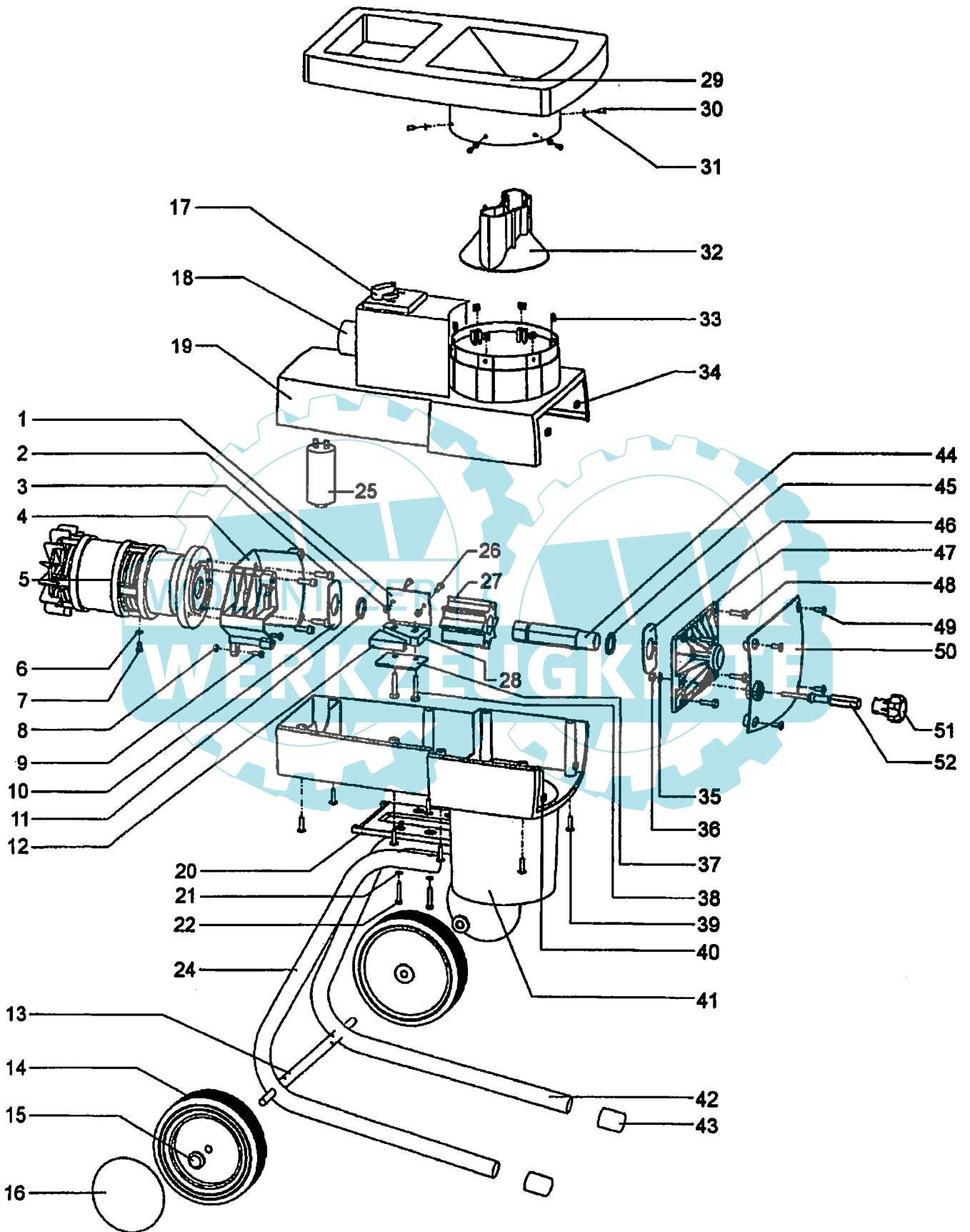


B014A



| Ausgabe Issue | | Bild Nr. Picture No | | VARIOLUX 2000 VARIOLUX 2200 | VARIOLUX 2000 VARIOLUX 2200 | Seite Page | |
|------------------|-----------------|------------------------|------------------------|--------------------------------|--------------------------------|---------------|--------------------|
| 2001-1 | | B014A | | | | 74 | |
| Pos. Fig. | Anzahl/Quantity | | Artikel Nr. Part No | Bezeichnung | Description | Satz Kit | Anmerkung Notes |
| | 1212 | 1213 | | | | | |
| X 1 | 1 | 1 | 1717-0292-22 | Fülltrichter-rot..... | Feeding hopper-red | | |
| 2 | 1 | 1 | 1717-0296-01 | Gummischutz | Rubber flap | | |
| 4 | 8 | 8 | 9838-9520-12 | Schraube | Screw | | |
| 5 | 1 | 1 | 1717-0293-22 | Zwischenteil-rot..... | Middle part-red | | |
| 6 | 1 | 1 | 1717-0297-01 | Platte | Locking plate | | |
| 10 | 1 | 1 | 9852-8013-16 | Schraube | Screw | | |
| 12 | 1 | 1 | 1717-0294-22 | Unterteil-rot..... | Lower part-red | | |
| 14 | 1 | 1 | 1717-0303-01 | Interlockplatte..... | Interlock plate | | |
| 15 | 1 | 1 | 1717-0318-01 | Halter Kompl..... | Holder assy | | |
| 17 | 1 | 1 | 1111-3023-01 | • Verriegelungsrad | • Locking knob | | |
| 18 | 1 | 1 | 9988-3583-12 | • Schraube | • Screw | | |
| 19 | 1 | 1 | 1134-2808-01 | • Hülse | • Sleeve | | |
| 20 | 1 | 1 | 9675-0025-02 | • Scheibe..... | • Lock washer | | |
| 23 | 1 | 1 | 1717-0302-03 | Gehäuse-schwarz | Housing-black | | |
| 24 | 1 | 1 | 1717-0295-01 | Gegenhalter | Counter plate..... | | |
| 25 | 2 | 2 | 9939-0816-16 | Schraube | Screw | | |
| 26 | 2 | 2 | 9747-0831-02 | Mutter..... | Lock nut | | |
| 27 | 1 | 1 | 1717-0095-01 | Motorgehäuse | Motor housing | | |
| 28 | 4 | 4 | 9832-9120-16 | Schraube | Screw | | |
| 29 | 1 | 1 | 9500-4100-00 | El.Motor..... | El.motor | | |
| 29 | 1 | 1 | 9500-4200-00 | El.Motor..... | El.motor | | |
| 30 | 1 | 1 | 9400-0256-00 | Kondensator | Capacitor | | |
| 31 | 4 | 4 | 9924-0816-16 | Schraube | Screw | | |
| 32 | 1 | 1 | 9404-0201-00 | Dichtungsring | Seal ring..... | | |
| 36 | 1 | 1 | 1717-0100-01 | Kunststoffdeckel..... | Plastic cover | | |
| 37 | 1 | 1 | 1717-0124-01 | Dichtung | Sealing cover | | |
| 38 | 1 | 1 | 1717-0113-01 | Druckfeder..... | Compression spring..... | | |
| 39 | 1 | 1 | 1717-0112-01 | Schalterstange..... | Plunger-switch..... | | |
| 40 | 1 | 1 | 1717-0151-02 | Schalter | Switch | | |
| 40 | 1 | 1 | 1717-0151-03 | Schalter | Switch | | |
| 41 | 1 | 1 | 1717-0138-01 | Anschlußkabel | Connection cable..... | | |
| 41 | 1 | 1 | 1717-0163-01 | Anschlußkabel | Connection cable..... | | |
| 42 | 1 | 1 | 1717-0115-01 | Kabelhalter..... | Cord restrainer | | |
| 43 | 2 | 2 | 9836-9116-12 | Schraube | Screw | | |
| 48 | 1 | 1 | 1717-0162-01 | Messerteller..... | Blade disc | | |
| 49 | 1 | 1 | 1717-0304-01 | Scheibe..... | Washer | | |
| 50 | 1 | 1 | 9734-1241-22 | Mutter | Nut | | |
| 51 | 1 | 1 | 1717-9700-01 | Messersatz | Blade kit | | |
| 52 | 4 | 4 | 9859-0610-16 | • Schraube | • Screw | | |
| 59 | 4 | 4 | 9939-0840-12 | Schraube | Screw | | |
| 60 | 4 | 4 | 9747-0831-02 | Mutter..... | Lock nut | | |
| 61 | 2 | 2 | 9403-0046-70 | Bodenschutz | End plug | | |
| X 64 | 2 | 2 | 1111-3325-01 | Buchse..... | Bushing | | |
| 65 | 2 | 2 | 1117-3012-01 | Lagerbuchse | Wheel bush | | |
| 66 | 2 | 2 | 1117-1161-01 | Radschutz..... | Wheel protection | | |
| X 67 | 1 | 1 | 1717-0324-01 | Bein-links..... | Leg-left | | |
| X 68 | 1 | 1 | 1717-0324-02 | Bein-rechts | Leg-right | | |
| 70 | 1 | 1 | 1717-0306-01 | Achse | Axle | | |
| 71 | 2 | 2 | 1134-1565-11 | Distanz..... | Spacer | | |
| 72 | 2 | 2 | 1111-3163-01 | Rad | Wheel | | |
| 73 | 4 | 4 | 9699-0062-02 | Scheibe..... | Flat washer | | |
| 74 | 2 | 2 | 9799-0831-02 | Mutter | Nut | | |
| 75 | 2 | 2 | 1111-2804-03 | Nabenkapsel-weiß | Hub cap-white | | |
| 76 | 1 | 1 | 9900-0060-00 | Sechskantschlüssel | Allen wrench | | |
| 78 | 1 | 1 | 1717-0307-01 | Rohr | Tube | | |
| 80 | 1 | 1 | 1717-0317-01 | Einfüller | Feeding tool | | |

Die Schweiz



B015



| Ausgabe Issue | | Bild Nr. Picture No | | VARIOLUX 2000 LEISE | | VARIOLUX 2000 LEISE | | Seite Page | |
|------------------|-----------------|------------------------|--|------------------------|-----------------------------|-----------------------------|-------------|--------------------|--|
| 2001-1 | | B015 | | | | | | 76 | |
| Pos. Fig. | Anzahl/Quantity | | | Artikel Nr. Part No | Bezeichnung | Description | Satz Kit | Anmerkung Notes | |
| | 1214 | | | | | | | | |
| 1 | 1 | | | 1715-1003-01 | Schneidplatte | Cutting plate | | | |
| 2 | 2 | | | 9747-0631-02 | Mutter | Lock nut | | | |
| 3 | 4 | | | 1715-1045-01 | Schraube | Screw | | | |
| 4 | 1 | | | 1715-1002-01 | Gehäuse-Schneidkammer ... | Housing-cutting chamb | | | |
| 5 | 1 | | | 1715-1031-01 | El.Motor | El.motor | | | |
| 6 | 1 | | | 1715-1052-01 | Federring | Lock washer | | | |
| 7 | 1 | | | 1715-1041-01 | Schraube | Screw | | | |
| 8 | 2 | | | 9747-0631-02 | Mutter | Lock nut | | | |
| 9 | 2 | | | 1715-1042-01 | Schraube | Screw | | | |
| 10 | 1 | | | 1715-1004-01 | Anlaufplatte | Spacer plate | | | |
| 11 | 1 | | | 1715-1015-01 | O-ring | O-ring | | | |
| 12 | 1 | | | 1715-1006-01 | Keilleiste | Wedge | | | |
| 13 | 1 | | | 1715-1019-01 | Achse | Wheel shaft | | | |
| 14 | 2 | | | 1715-1000-01 | Lauffelge | Wheel | | | |
| 15 | 2 | | | 1715-1040-01 | Starlock-Schnellbef. | Starlock | | | |
| 16 | 2 | | | 1715-1001-01 | Radkappe | Hub cap | | | |
| 17 | 1 | | | 1715-1022-01 | Schaltereinsatz | Switch | | | |
| 18 | 1 | | | 1715-1021-01 | Steckerkragen | Collar-connector | | | |
| 19 | 1 | | | 1715-1035-01 | Gehäuse-Oberteil | Housing-upper | | | |
| 20 | 1 | | | 1715-1016-01 | Konsole f.Fahrgestell | Console | | | |
| 21 | 4 | | | 1715-1052-01 | Federring | Lock washer | | | |
| 22 | 4 | | | 1715-1046-01 | Schraube | Screw | | | |
| 24 | 1 | | | 1715-1017-01 | Standbein-links | Leg-l.h. | | | |
| 25 | 1 | | | 1715-1038-01 | Kondensator | Condensor | | | |
| 26 | 2 | | | 9924-0616-16 | Schraube | Screw | | | |
| 27 | 1 | | | 1715-1009-01 | Schneidwalze | Cutting roller | | | |
| 28 | 1 | | | 1715-1005-01 | Nachschneidplatte | Cutting plate | | | |
| 29 | 1 | | | 1715-1034-01 | Trichter | Hopper | | | |
| 30 | 6 | | | 1715-1027-01 | Einwegschrabe | One-way screw | | | |
| 31 | 6 | | | 1715-1051-01 | Scheibe | Washer | | | |
| 32 | 1 | | | 1715-1026-01 | Astführung | Branch guide | | | |
| 33 | 6 | | | 1715-1024-01 | Mutter | Nut | | | |
| 34 | 2 | | | 1715-1049-01 | Stanzmutter | Nut | | | |
| 35 | 1 | | | 1715-1050-01 | Scheibe | Washer | | | |
| 36 | 1 | | | 9747-0831-02 | Mutter | Lock nut | | | |
| 37 | 1 | | | 1715-1007-01 | Stützplatte | Support plate | | | |
| 38 | 2 | | | 1715-1028-01 | Schraube | Screw | | | |
| 39 | 8 | | | 1715-1023-01 | Schraube | Screw | | | |
| 40 | 2 | | | 1715-1049-01 | Stanzmutter | Nut | | | |
| 41 | 1 | | | 1715-1036-01 | Gehäuse-Unterteil | Housing-lower | | | |
| 42 | 1 | | | 1715-1018-01 | Standbein-rechts | Leg-r.h. | | | |
| 43 | 2 | | | 1715-1020-01 | Aufsteckkappe | End cap | | | |
| 44 | 1 | | | 1715-1008-01 | Welle | Shaft | | | |
| 45 | 1 | | | 1715-1015-01 | O-ring | O-ring | | | |
| 46 | 1 | | | 1715-1004-01 | Anlaufplatte | Spacer plate | | | |
| 47 | 1 | | | 1715-1029-01 | Lagerdeckel Kompl | Bearing plate assy | | | |
| 48 | 4 | | | 1715-1025-01 | Schraube | Screw | | | |
| 49 | 4 | | | 1715-1044-01 | Schraube | Screw | | | |
| 50 | 1 | | | 1715-1037-01 | Deckel | Side plate | | | |
| 51 | 1 | | | 1715-1012-01 | Stellknopf | Adjusting knob | | | |
| 52 | 1 | | | 1715-1014-01 | Stellschraube | Adjusting screw | | | |